



# TELLER CASH RECYCLER AST 7000 NT



**TELLER CASH RECYCLER**

# TELLER CASH RECYCLER AST 7000 NT

**AST 7000 NT**, automatic cash in - cash out recycling unit is the new reply from Cima to the needs of security and speed of the bank branch. Designed to guarantee very high performances in counters with many cash transactions, **AST 7000 NT** ensures the security and reliability needed for open branches, at the same time enabling to save time in the cash processing.

The new teller cash recycler handles the storage of banknotes through **one input pocket**, the safekeeping (the safe can be realized in 5mm, UL291 or CENIII) and the distribution always through one pocket; it's equipped with **8 recycling magazines having capacity up to 550 banknotes each**.

The recognition of banknotes can be made at different optional levels of security, including the **Cash Ray 90**, new generation of the BIM 1000 of the German company Giesecke & Devrient, sensor recognized as one of the most reliable for its capability to certify banknotes.

**The very small size and the innovative and pleasant look enable the machine to be inserted in any bank environment. AST 7000 NT stores and withdraws banknotes at a speed of 5 per second. To allow an easy service the frame has been realized so that it can be completely pulled out:** therefore the service can be done in a remote area to allow the teller to go on working without any impediments.

## Why AST 7000 NT?

- ◆ Considerable recoveries of the teller's times, both in the deposit and in the withdrawal phase
- ◆ Thanks to the high security level it enables the realization of open branches
- ◆ The really small size allows the introduction of the machine in any layout
- ◆ It doesn't require structural modifications of the counters
- ◆ Real time update of balances and cash in hands
- ◆ It improves productivity and customers service
- ◆ Thanks to the adoption of very high level authenticity detectors it prevents human errors
- ◆ Multicurrency operation
- ◆ Possibility to return the last deposit made

## TECHNICAL SPECIFICATIONS

**Safe:**  
5 mm, 12 mm (UL 291), 40 mm (CEN III)

**Electrical characteristics:**  
**Voltage:** 230 V AC (85-264 V)  
**Power absorbed:** 550 W  
**Frequency:** 47-440 Hz

**Connections:**  
Serial port RS232 or port USB 1.0

**Number of magazines handled:** 8

**Deposit capacity:**  
Up to 550 banknotes each magazine

**Handling of magazines:**

- Storage by single denomination with recycling function
- Multidenomination storage with stocking function
- Flexibility of the magazines

**Banknotes detector:**

- **CIM (only Euro countries):** 2D, visible light, infrared
- **Cash Ray 90:** 3D, visible light, infrared, ultraviolet, magnetic, 1.300 samples each banknote

**Deposit and withdrawal speed:**  
Up to 5 banknotes/second

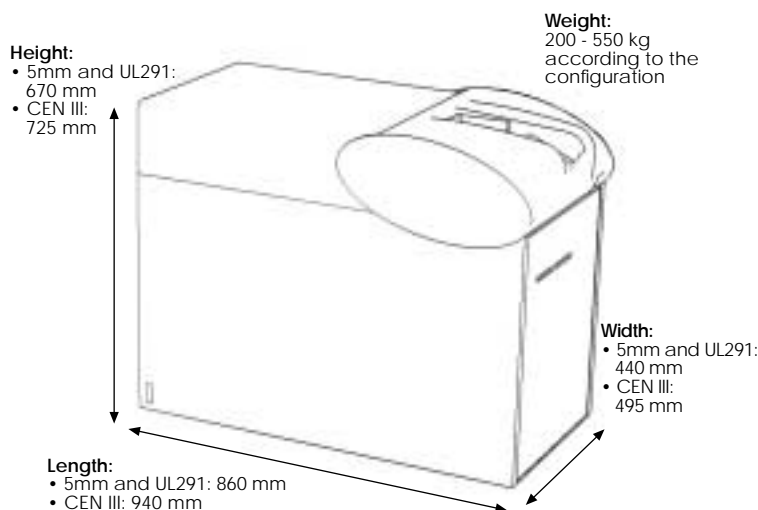
**Size of the banknotes handled:**  
**Standard configuration:**  
**Length:** from 100 mm to 190 mm  
**Width:** from 60 mm to 82 mm

**Security:**

- handling of 20 time bands
- 3 different alarm outputs
- 2 different alarm inputs
- timed handling of locks



- ◆ It considerably reduces the cash in hand within the agency
- ◆ Provided with software and hardware for management of alarms and security locks
- ◆ Spaces for servicing extremely reduced: assistance can be made from remote position as to the operator post



This leaflet provides general information. CIMA is available for further explanations concerning the products presented here. Since the services and products of the company are in continuous evolution we recommend the customer to make sure that the above stated information correspond to the latest updating.

